

LUMIROD

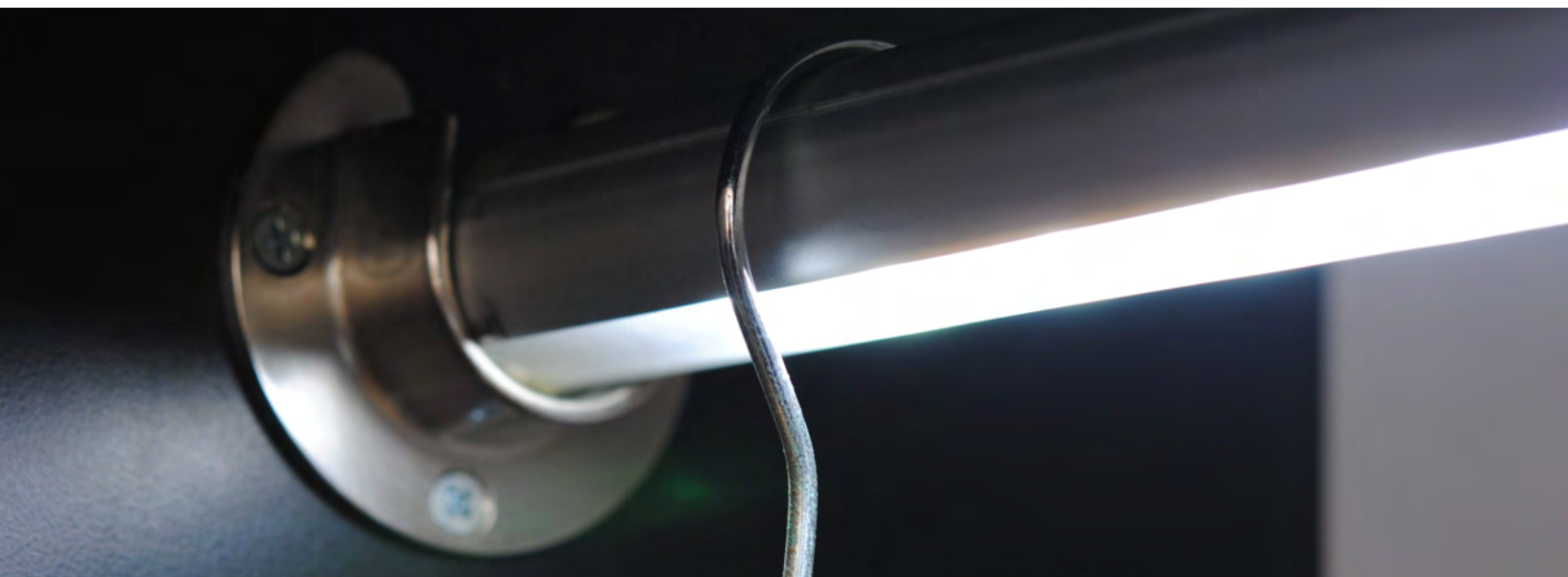
110C LED CLOSET ROD



INSTALLATION MANUAL

TABLE OF CONTENTS

● SECTION 1	3
ABOUT LUMIROD 110C	
● PRODUCT APPLICATIONS	4
● BENEFITS & FEATURES	
● LUMIROD 110C LED CLOSET ROD	
● PRODUCT SPECIFICATIONS	5
● PRODUCT CODES	6
● ORDER CODES	
● PRODUCT ISOMETRIC VIEW	7
● PRODUCT SIDE A RENDERING	8
● ENDING CAP A	
● BRACKET A	
● PRODUCT SIDE B RENDERING	9
● ENDING CAP B	
● BRACKET B	
● OPTIONAL ACCESSORIES	10
● MAGNET SWITCH	
● MOTION SENSOR TRX	
● OPTIONAL ACCESSORIES	11
● CEILING SUPPORT LU1CS	
● SECTION 2	12
BLUEPRINTS LUMIROD 110C	
● LUMIROD 110C INSTALLATION BLUEPRINT	13
● WALL WIRING OPTION	
● LUMIROD 110C INSTALLATION BLUEPRINT	14
● OUTSIDE/CEILING WIRING OPTION	
● CEILING SUPPORT INSTALLATION BLUEPRINT	15
● CEILING SUPPORT LU1CS OPTION	
● SECTION 3	16
ELECTRICAL WIRING	
● WIRING INSTALLATION DIAGRAM	17
● WIREWORK FOR SINGLE LUMIROD 110C ROD	
● WIREWORK FOR MULTIPLE LUMIROD 110C ROD	
● DIMMER ASSEMBLY	18
● ON/OFF ONLY OPTION FOR NON-DIMMABLE	
● WIRED OPTION FOR DIMMABLE	
● DIMMER ASSEMBLY	19
● WIRELESS OPTION FOR DIMMABLE	
● MAGNET CONNECTOR ASSEMBLY	20
● MOTION SENSOR TRX ASSEMBLY	21
● SECTION 4	22
COMPLETE INSTALLATION SAMPLES	
● FINAL RESULTS VIEW	23
● SAMPLE 1	
● SAMPLE 2	



SECTION 1

ABOUT LUMIROD 110C

To avoid damage to the LUMIROD RODS and electric parts, follow the instructions on this manual as described.

REMINDER

Please note that regardless of number of RODS used, or type of installation for a specific project, all options in this manual need to follow correct installation instructions

Should you have any inquiries or require further assistance, please do not hesitate to reach out to us at 305-652-2599 or send your questions via email to sales@lumiron.com.

BENEFITS & FEATURES

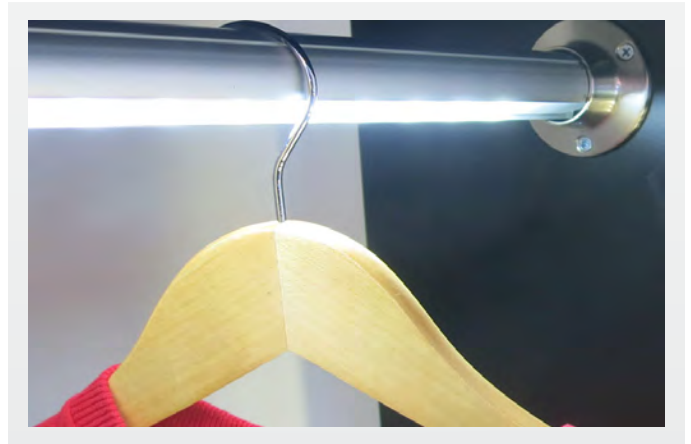
- ✓ Made in USA.
- ✓ Easy installation and low maintenance.
- ✓ DYU, Do it yourself easy option.
- ✓ Custom lengths and unique color sequencing.
- ✓ Indoor and outdoor.
- ✓ Dimmable, DMX, Wi-Fi, RF Wireless, Smart Phone App, soon with Amazon Alexa integration.

- ✓ **Low power consumption**



The **LUMIROD** is an LED linear closet rod that has an integrated LED lighting system inside the extrusion. It is designed for closets and storage spaces to illuminate clothing hanging below it, or other items directly from the aluminum extrusion.

The **LUMIROD** is strong enough to support up to 50lbs per foot. It comes in low voltage of 24 VDC.



LUMIROD 110C LED CLOSET ROD

Great looking and innovative fixture, is easy to install and can be customized to a maximum length of 8 feet. With a power consumption of only 6watts per foot, it is a safe, cool, and a low voltage (3-6V) fancy product.

It can be dimmed and/or controlled with an automatic on/off system; it can turn on when the door opens/close or with a motion detector system.

The **LUMIROD 110C LED CLOSET ROD** will soon have the option for Amazon Alexa integration.

LENGTHS	6" – 96" (Custom Lengths Available)
DIAMETER	1.10" (27.94 mm)
COLOR TEMP	Warm White, Neutral White, Cool White, Red, Amber, Green, Blue, RGB, RGBW
WATTAGE / FOOT	3 or 4.5 Watts
LUMENS / FOOT	T2: 259/foot or T4: 447/foot
INPUT VOLTAGE	24 VDC
VIEW ANGLE	120 Degrees
LED TYPE	T4 (2835)
IP RATING	Indoor Standard IP20 – Outdoor IP67 EPX Series
CRI	90
LENS	Diffused Lens Standard
HOUSING	Anodized Clear Aluminum Extrusion (Custom Colors Available)
MOUNTING	Newly updated Closet Rod Mounting Brackets
LEADS	2 Foot 18g 2 Cond (Custom Wire Lengths Available)

ORDER CODES

SERIES	LENGTH	ACCESORIES	LENS	LENS TYPE	IP RATING
LUMIROD 110C	6" – 96"	Motion sensor TRX Magnet connector Brackets	DF (Diffused)	CV (Curved)	IN (Indoor) EPX (Outdoor)

COLOR	WHITE COLOR TEMP
CW (Cool White)	6000K
NW (Neutral White)	4000K
WW (Warm White)	3000K, 2700K
RGB (Red, Green, Blue)	-----
RGBW (Red, Green, Blue, White)	6000K, 4000K, 3000K (white only)
CCT (Changing White)	6000K, 3000K

MOUNTING
CR Closet Rod Custom Mounting

CUSTOM ORDER EXAMPLE

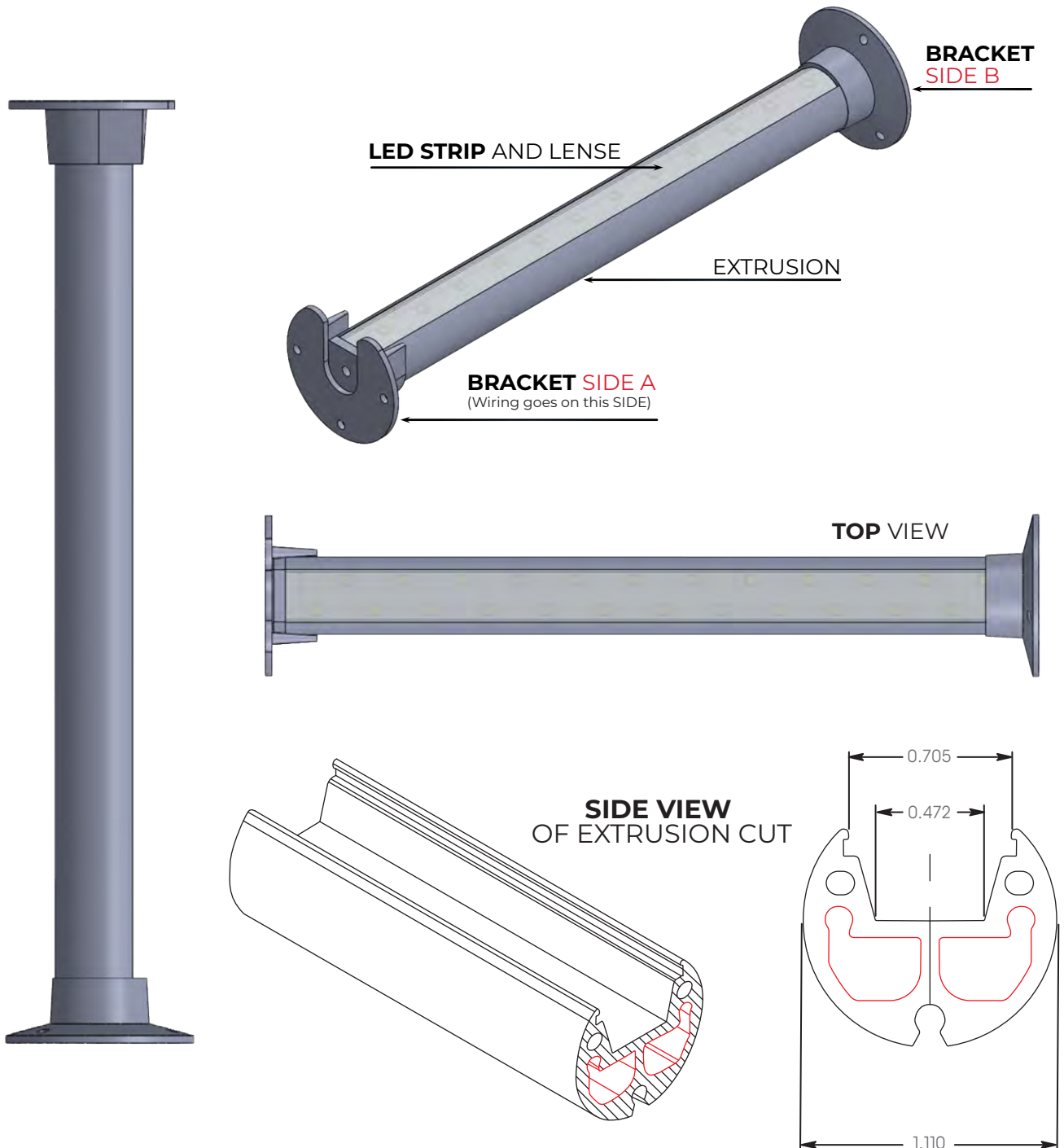
SERIES	LENGTH	ACCESORIES	IP RATING
LUMIROD 110C	4' – 6"	Brackets	IN (Indoor)

COLOR	WHITE COLOR TEMP
WW (Warm White)	3000K

MOUNTING
CR Closet Rod Custom Mounting

IMPORTANT NOTE:

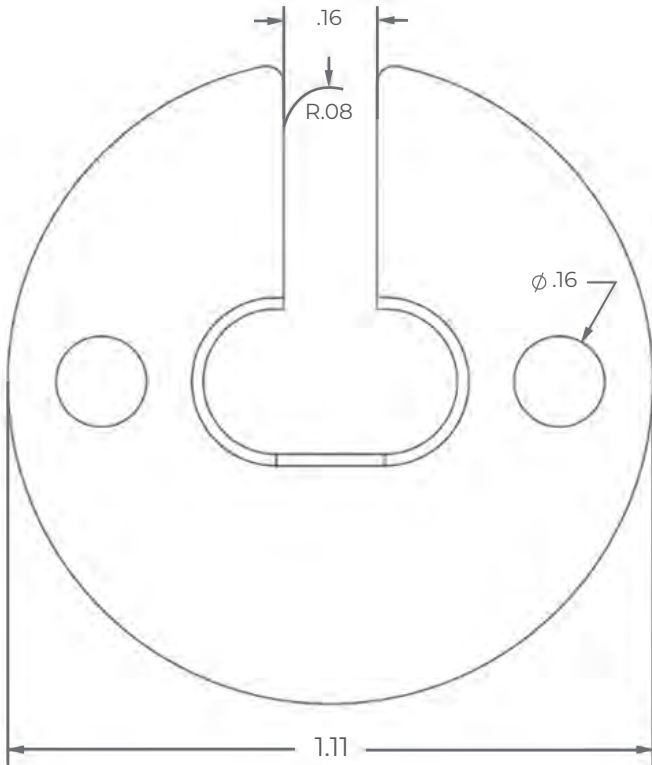
Specifications and characteristics shown can change at any time due to the constant improvements to LED lightning options and technology. Pictures and blueprints on this manual are only examples, dimensions and type will vary according to each custom project.



ENDING CAP & BRACKET

SIDE A RENDERING

ENDING
CAP



ENDING CAP
SIDE A



IMPORTANT NOTE:

Make sure the wiring from **EXCRUSION** is going through **SIDE A** of **ENDING CAP** and **BRACKET**, regardless on option of installation.

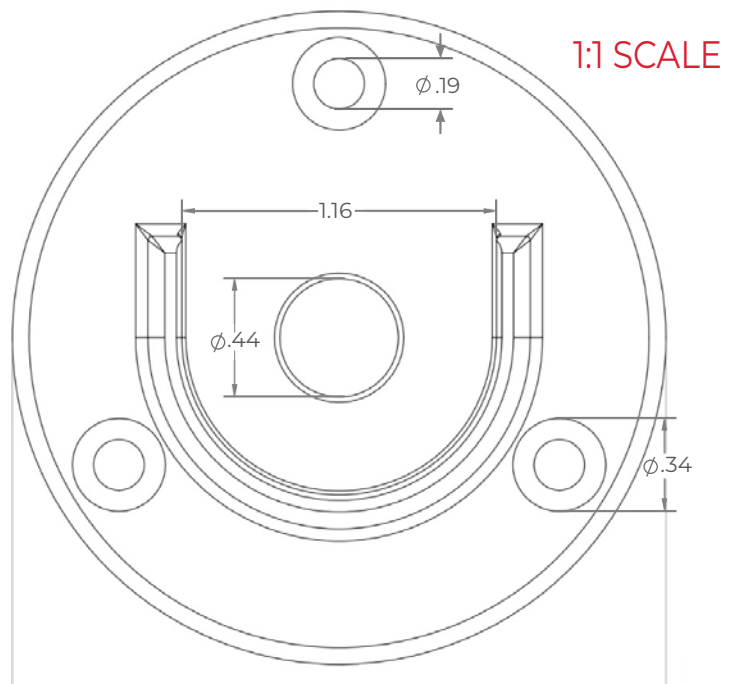
After securing the **ENDING CAP** to extrusion with the screws provided for installation, make sure the wired part goes with **SIDE A** of **BRACKET**.

Follow instructions on **SECTION 3** for correct electrical installation.

BRACKET



BRACKET
SIDE A

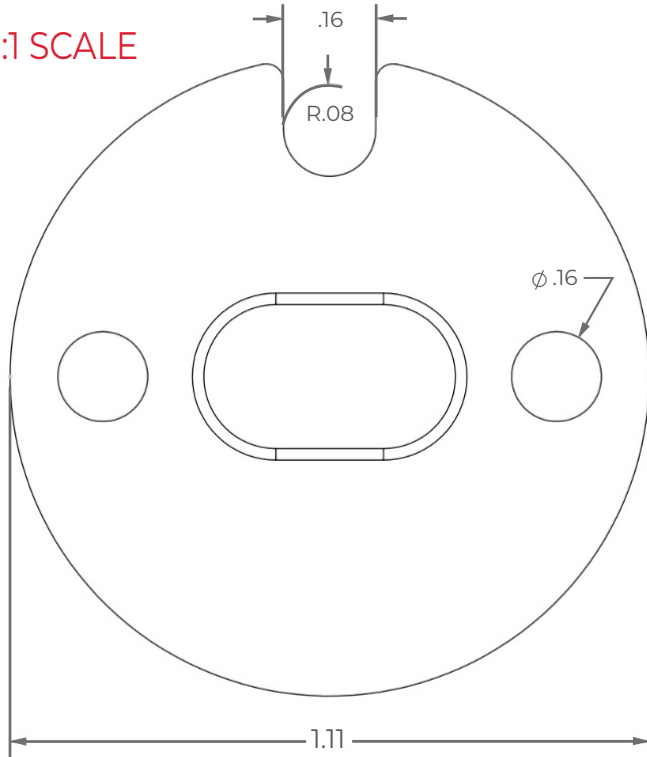


ENDING CAP & BRACKET

SIDE B RENDERING

ENDING
CAP

1:1 SCALE



ENDING CAP
SIDE B



IMPORTANT NOTE:

Make sure **NO** wiring goes through **SIDE B** of **ENDING CAP** and **BRACKET**. **This side is not designed to support any wiring.**

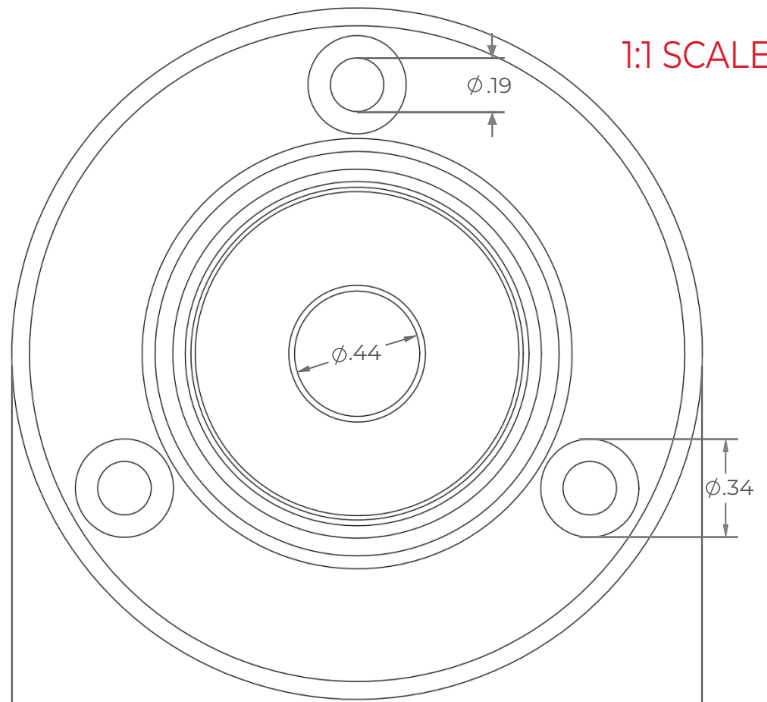
Follow instructions on **SECTION 3** for correct electrical installation.

BRACKET



BRACKET
SIDE B

1:1 SCALE



MAGNET SWITCH

ACC300-CNT-1001MGT

The ACC300-CNT-1001MGT it is a switch on/off Magnet Connector for closet door

SCAN QR CODE TO GO
DIRECTLY TO THIS ACCESSORY
ONLINE PAGE



MOTION SENSOR TRX

MOTION-SENSOR-TRX

The **MOTION SENSOR TRX** is a great product to improve the lighting experience for your future Cove and Architectural project. The product contains a built in motion sensor capability, which automatically activates once sensor detects motion.

SCAN QR CODE TO GO
DIRECTLY TO THIS ACCESSORY
ONLINE PAGE



OPTIONAL ACCESSORIES

CEILING SUPPORT LU1CS

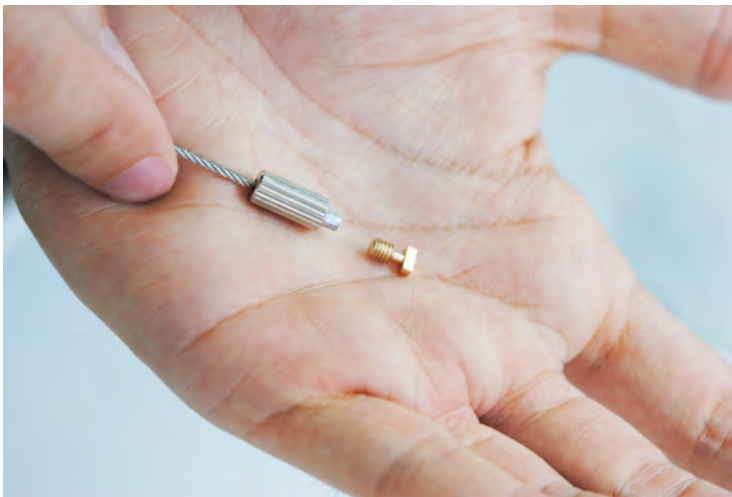


EXTRA SUPPORT OPTION FOR HEAVY DUTY SETUPS

IMPORTANT NOTE

The **CEILING CABLE** is only necessary and designed for extra support when the weight the **LUMIROD 110C** will support is **more than 50 lbs**, and/or the setup for installation required a **longer ROD than 6' (feet)**.

Refer to **page 15** for Blueprint of installation.



A red corner graphic is located in the top left corner, appearing as a white page corner being peeled away from a red background.

SECTION 2

BLUEPRINTS LUMIROD 110C

PLEASE NOTE THAT REGARDLESS OF NUMBER OF RODS USED, OR TYPE OF INSTALLATION FOR A SPECIFIC PROJECT, ALL OPTIONS IN THIS MANUAL NEED TO FOLLOW CORRECT INSTALLATION INSTRUCTIONS

LUMIROD 110C

INSTALLATION BLUEPRINT

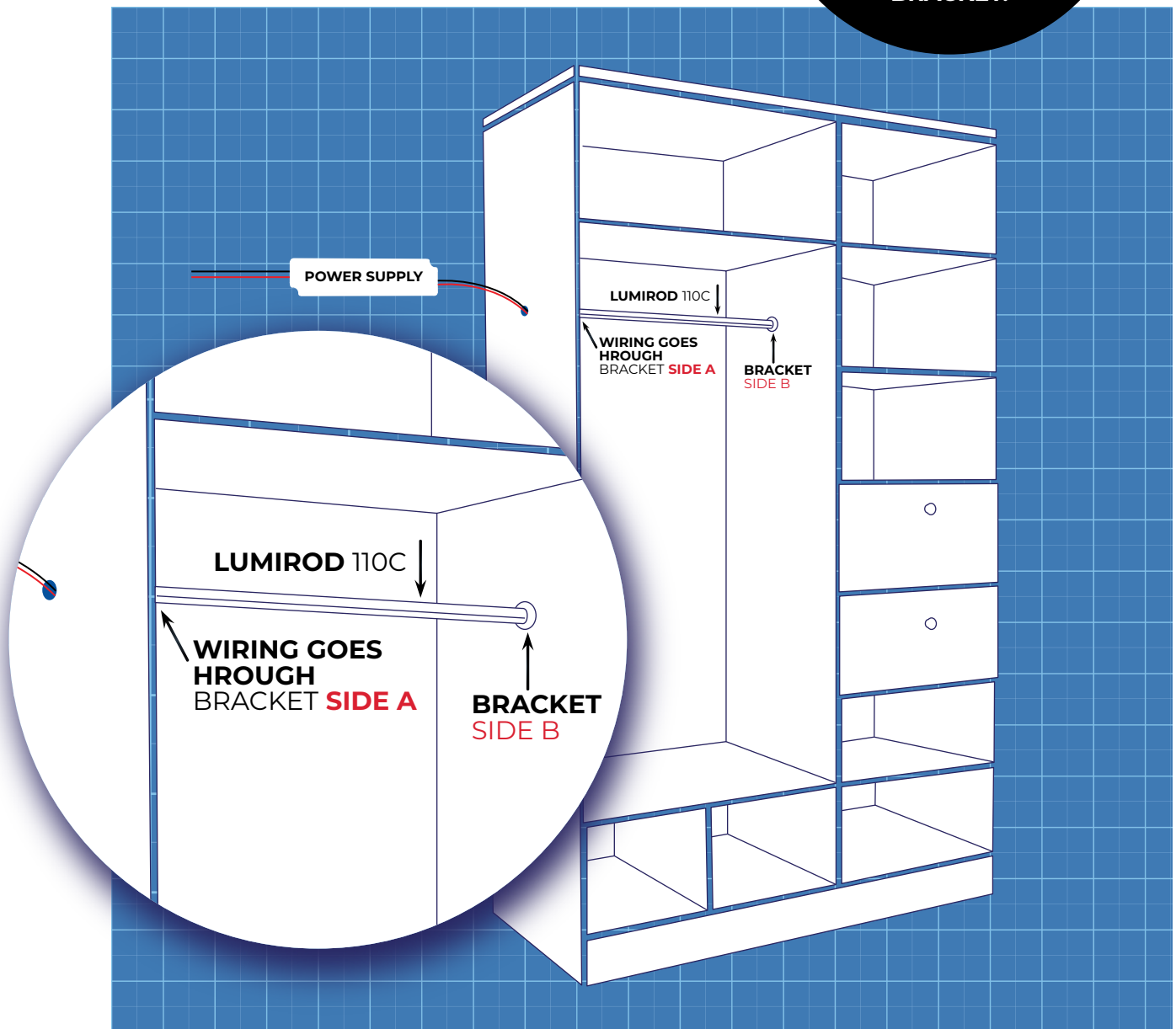
WALL WIRING OPTION

FOLLOW THE CORRECT WIRING

On this installation option, **THE WIRING** goes through a wall, or closet wall, so none of the wiring is on view. Follow the **WIRING DIAGRAM** on **SECTION 4**, for how to install Optional Accessories.

WARNING!

Make sure that the wired part of the **LUMIROD ROD**, is installed with the **SIDE A** of **ENDING CAP** and **BRACKET**.



INSTALLATION BLUEPRINT

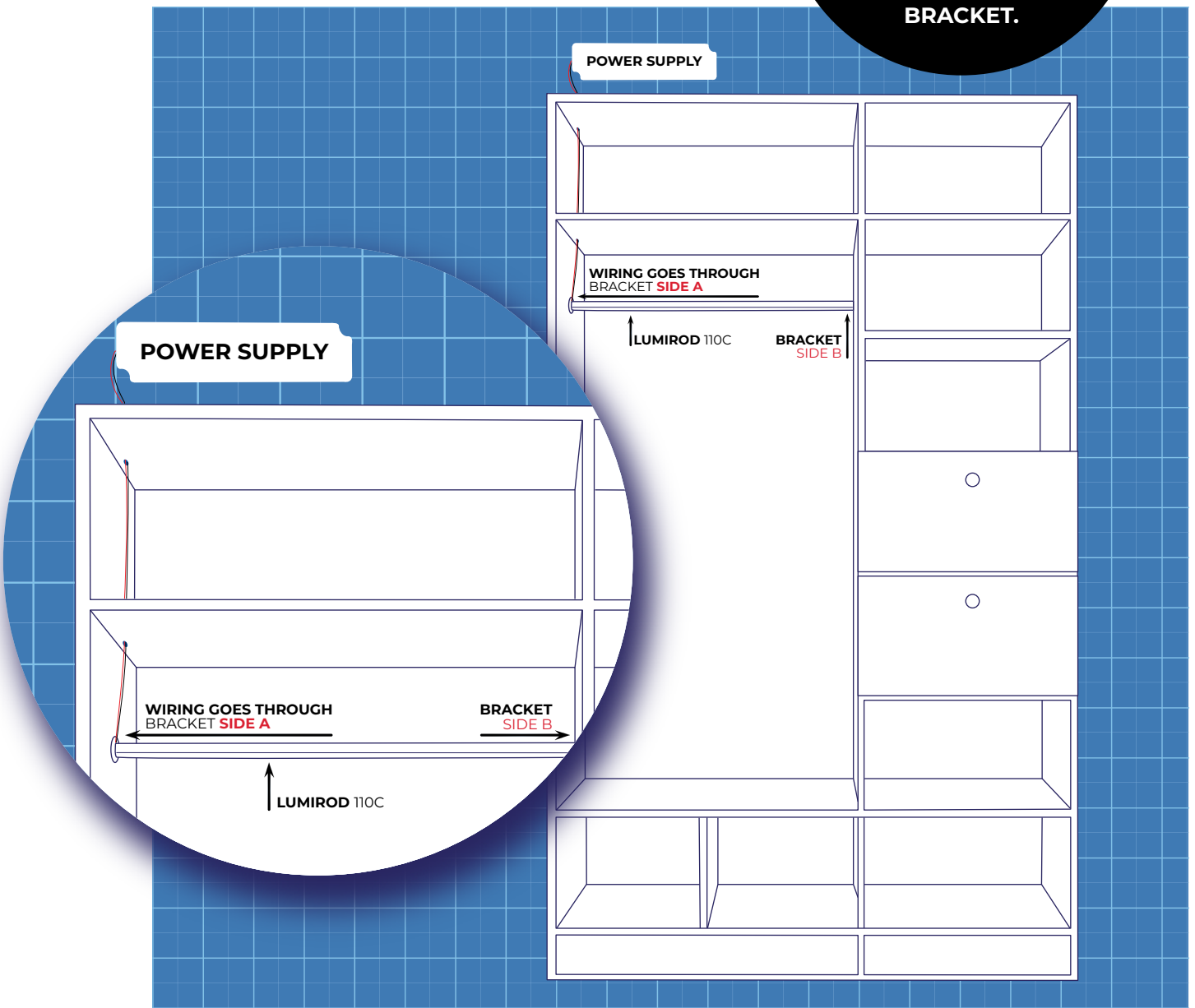
OUTSIDE/CEILING WIRING OPTION

 **FOLLOW THE**
CORRECT WIRING

On this installation setup, **THE WIRING** goes outside through the ceiling, or closet ceiling top, and the wiring is on view. This setup is an option when wiring through the wall is not possible. Follow the **WIRING DIAGRAM** on **SECTION 4**, for how install Optional Accesories.



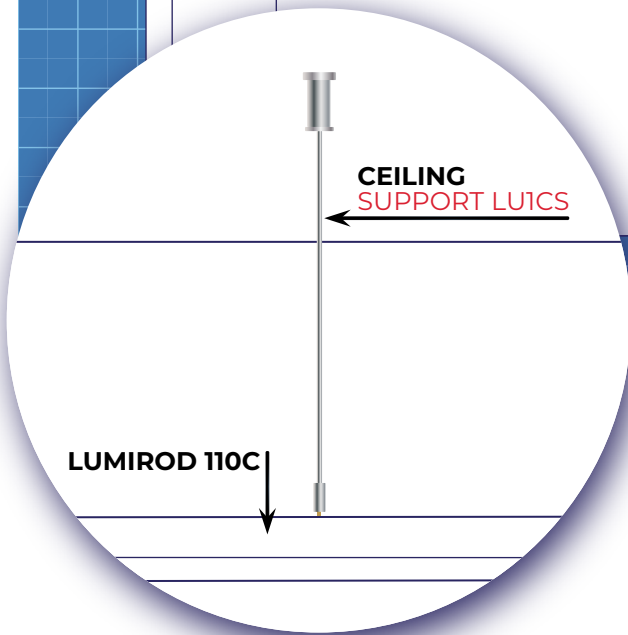
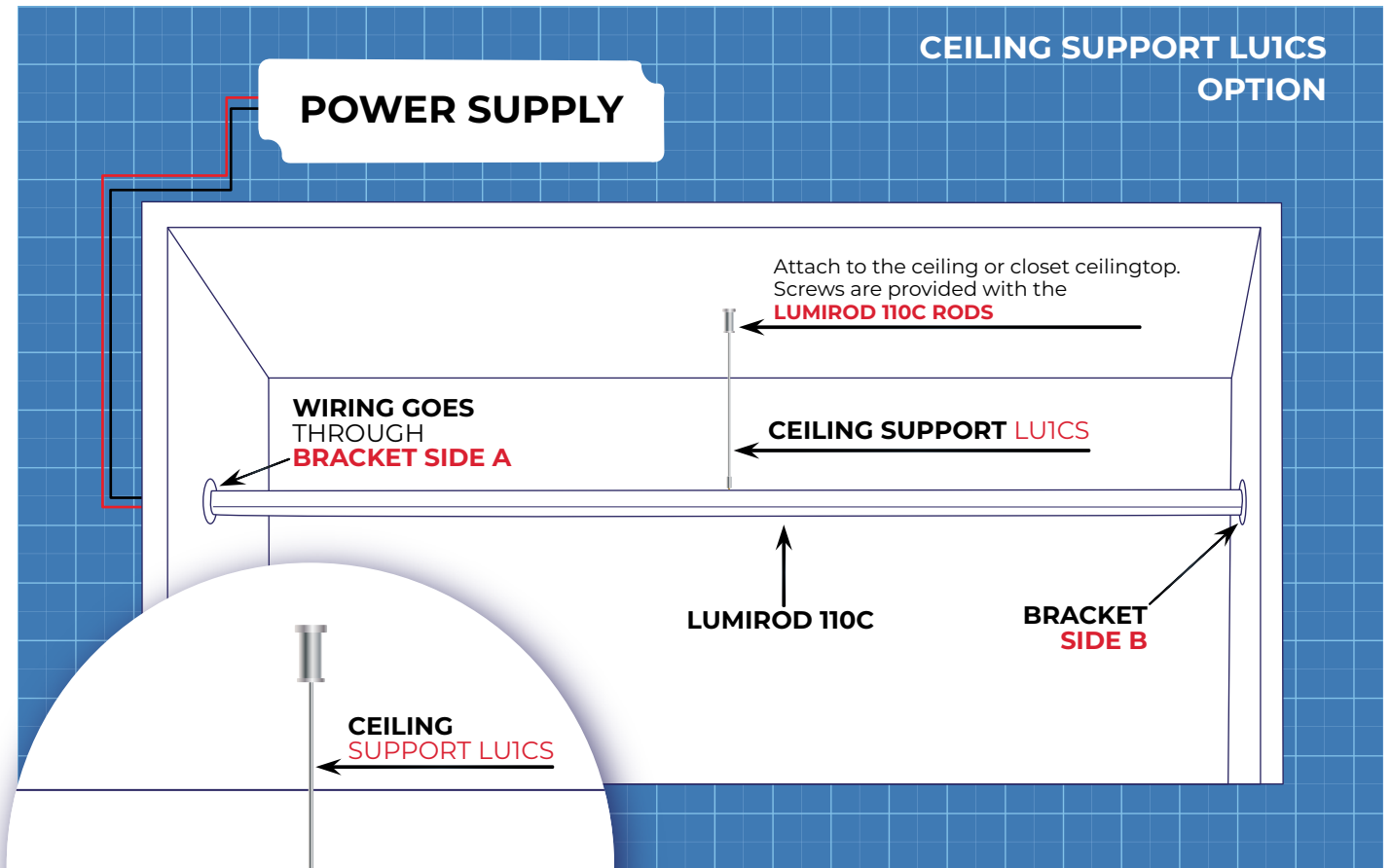
WARNING!
Make sure that the wired part of the **LUMIROD ROD**, is installed with the **SIDE A** of **ENDING CAP** and **BRACKET**.



CEILING SUPPORT

INSTALLATION BLUEPRINT

CEILING SUPPORT LUTCS OPTION



IMPORTANT NOTE:

The **CEILING CABLE** is only necessary and designed for extra support when the weight the **LUMIROD 110C** will support is **more than 50 lbs**, and/or the setup for installation required a **longer ROD than 6' (feet)**.



SECTION 3

ELECTRICAL WIRING


Regardless of type of installation, electrical wiring will be the same on all rods. All the required electrical supplies needed for each specific project, will be provided along with **LUMIROD 110C LED CLOSET RODS**

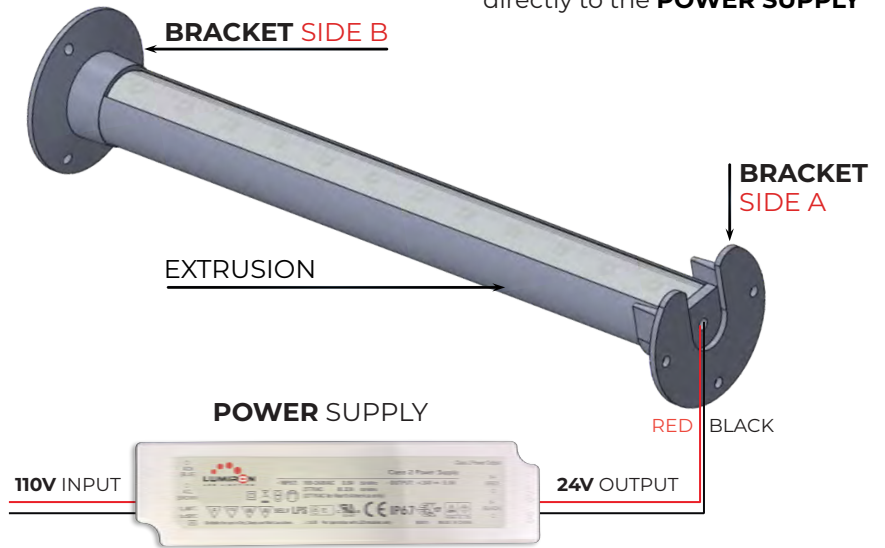
WIRING INSTALLATION DIAGRAM

WIREWOK FOR SINGLE LUMIROND 110C ROD

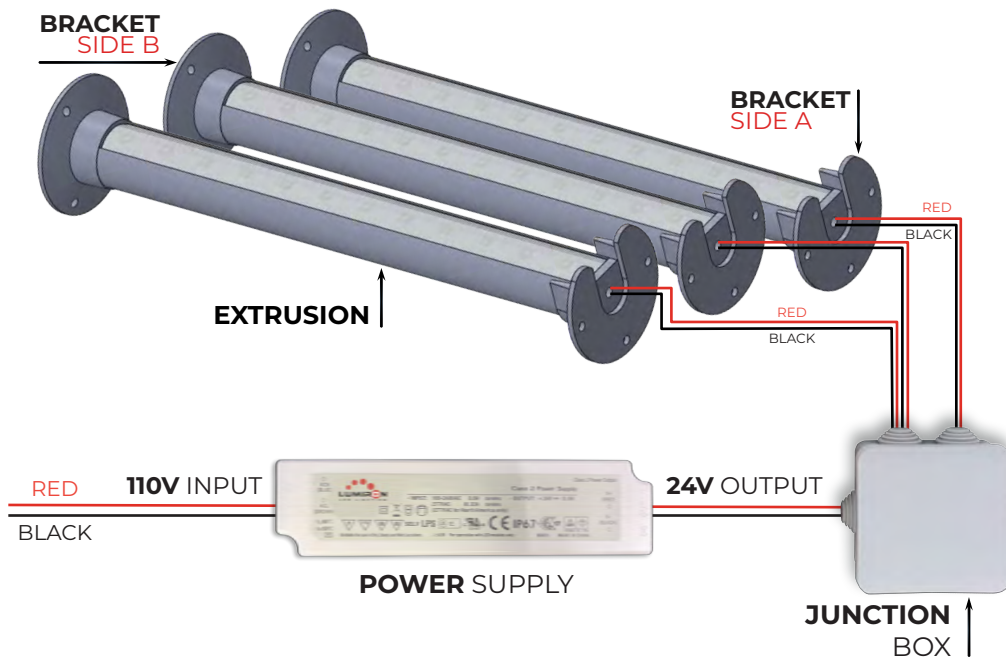
⚠ WARNING!

Do not connect the wired end of **LUMIROD 110C** to **SIDE B** of **ENDING CAP** or **BRACKET**. Wired end must be connected to **SIDE A** of both **ENDING CAP** and **BRACKET**, as shown on picture below.

 **FOLLOW THE CORRECT WIRING**
Connect the **LUMIROD 110C** directly to the **POWER SUPPLY**



WIREWOK FOR MULTIPLE LUMIROND 110C ROD



 **REMEMBER!**
Connect the wired end of **LUMIROD 110C** to **SIDE A** of both **ENDING CAP** and **BRACKET**, as shown on picture below.



IMPORTANT NOTE:

It is recommended that in case of a multiple installation, the **LUMIRODS 110C** are connected through a **JUNCTION BOX** to the **POWER SUPPLY**

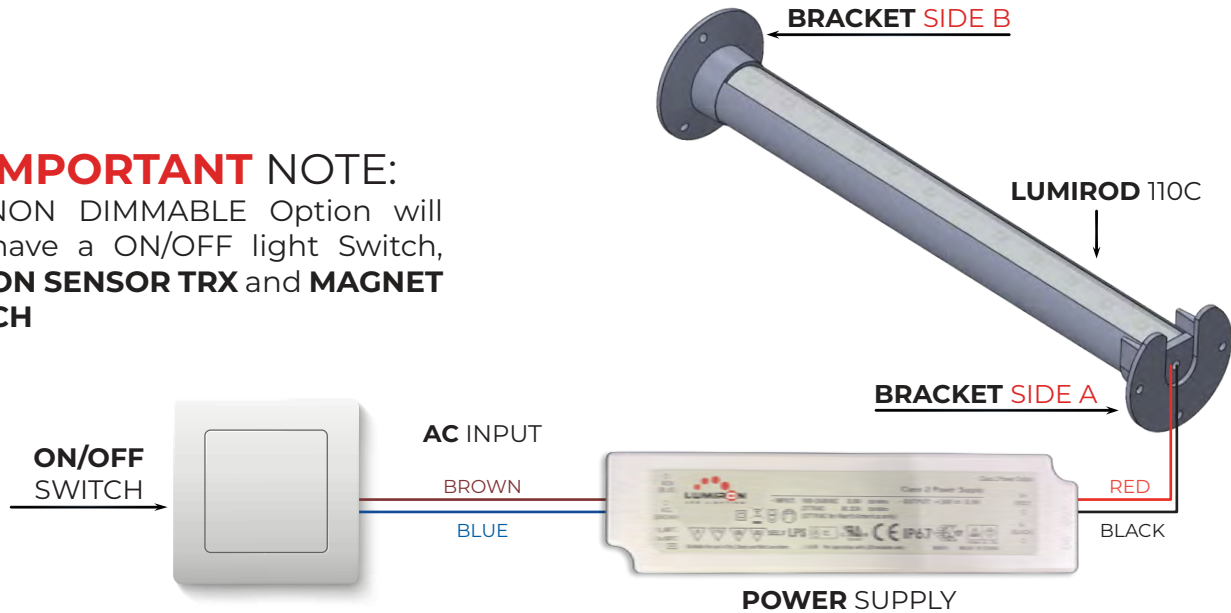
ON/OFF ONLY

OPTION FOR NON-DIMMABLE



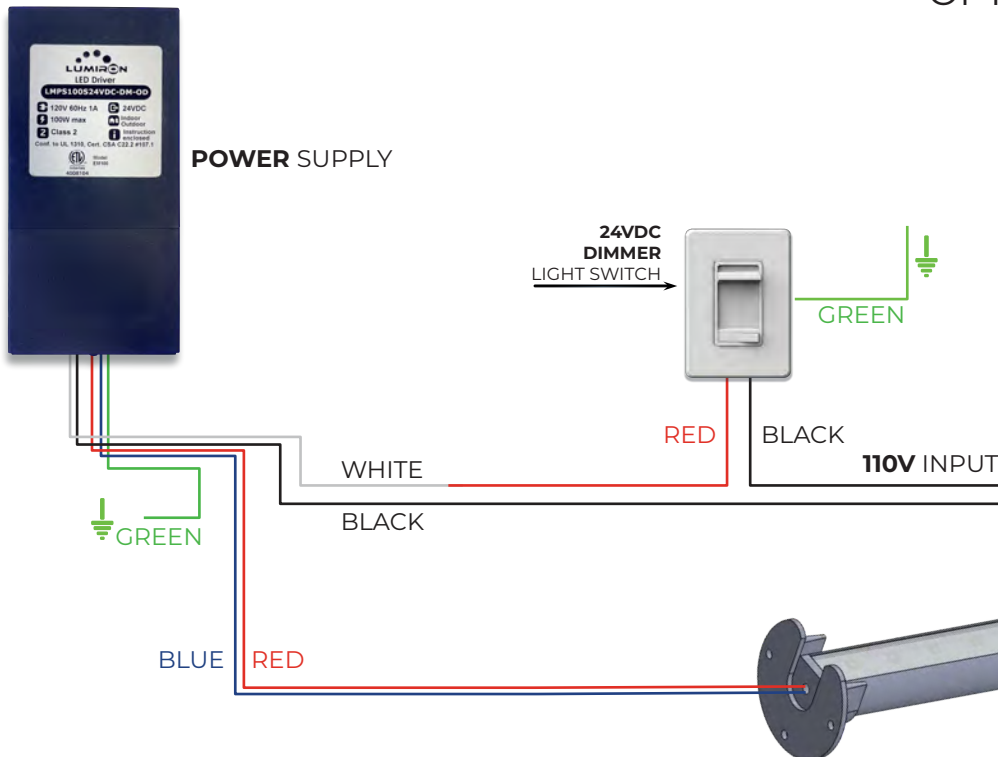
IMPORTANT NOTE:

The NON DIMMABLE Option will only have a ON/OFF light switch, **MOTION SENSOR TRX** and **MAGNET SWITCH**



WIRED

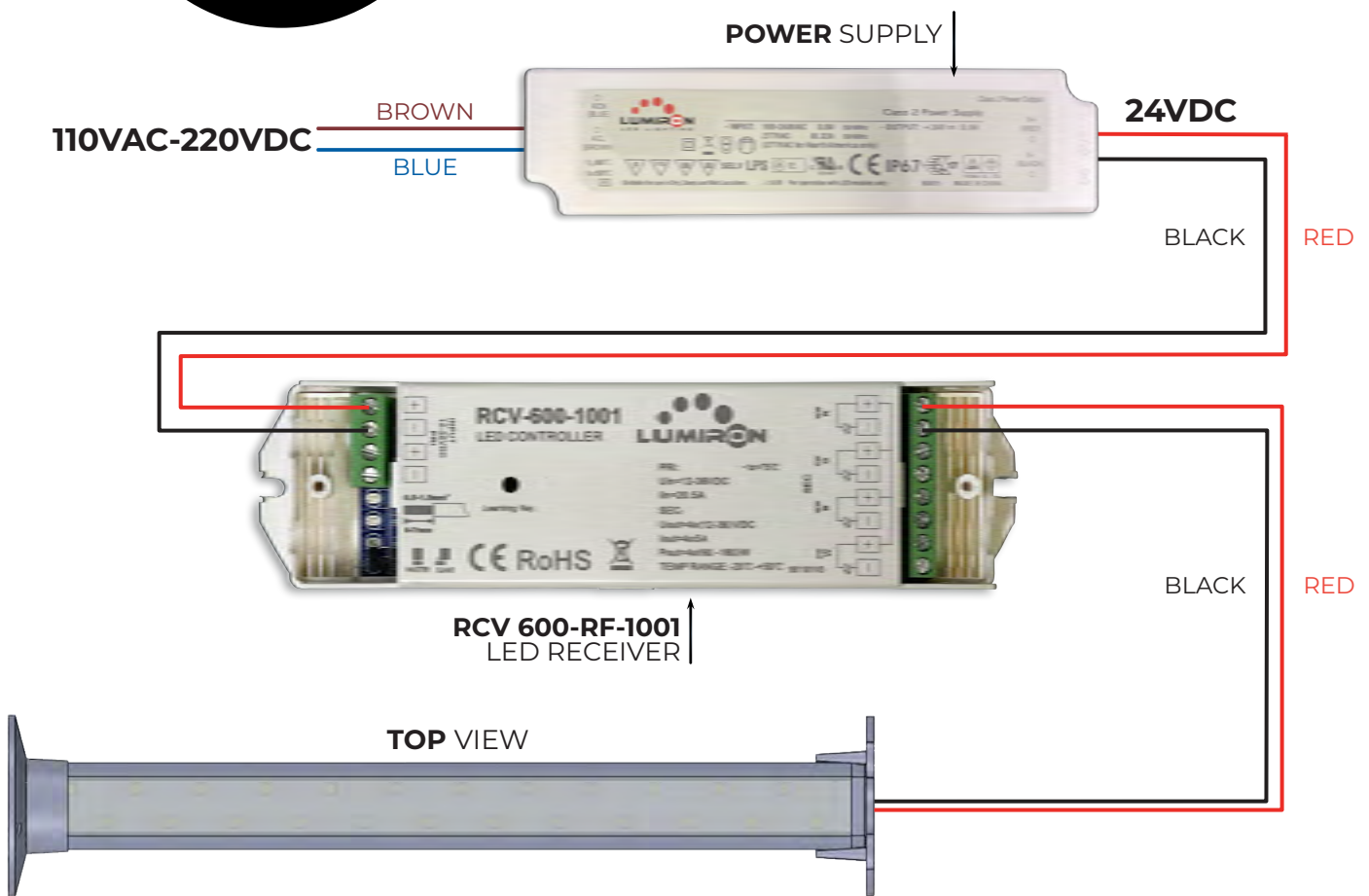
OPTION FOR DIMMABLE



WARNING!
DO NOT
CONNECT THE
LUMIROD 110C
DIRECTLY TO AC
110V-220V

WARNING!
DO NOT
CONNECT THE
LUMIROD 110C
DIRECTLY TO AC
110V-220V

WIRELESS
OPTION FOR DIMMABLE



REMEMBER!
Connect the wired end of **LUMIROD 110C** to **SIDE A** of both **ENDING CAP** and **BRACKET**, as shown on picture below.

MAGNET CONNECTOR

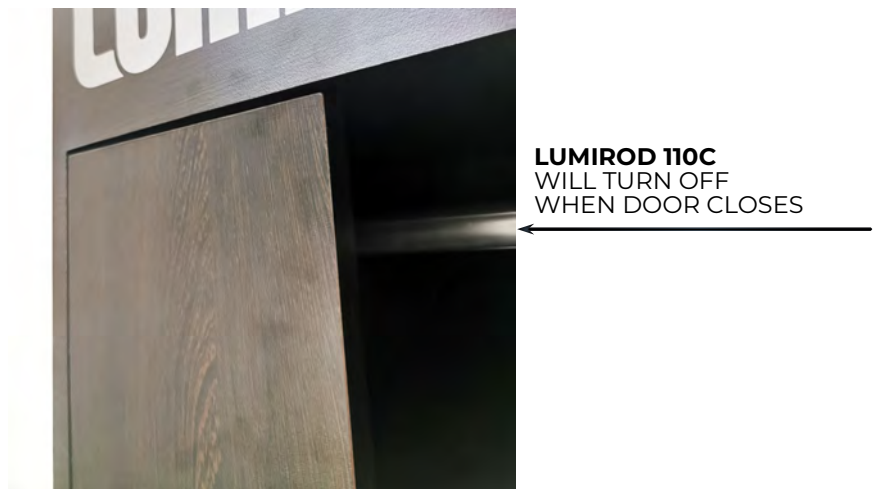
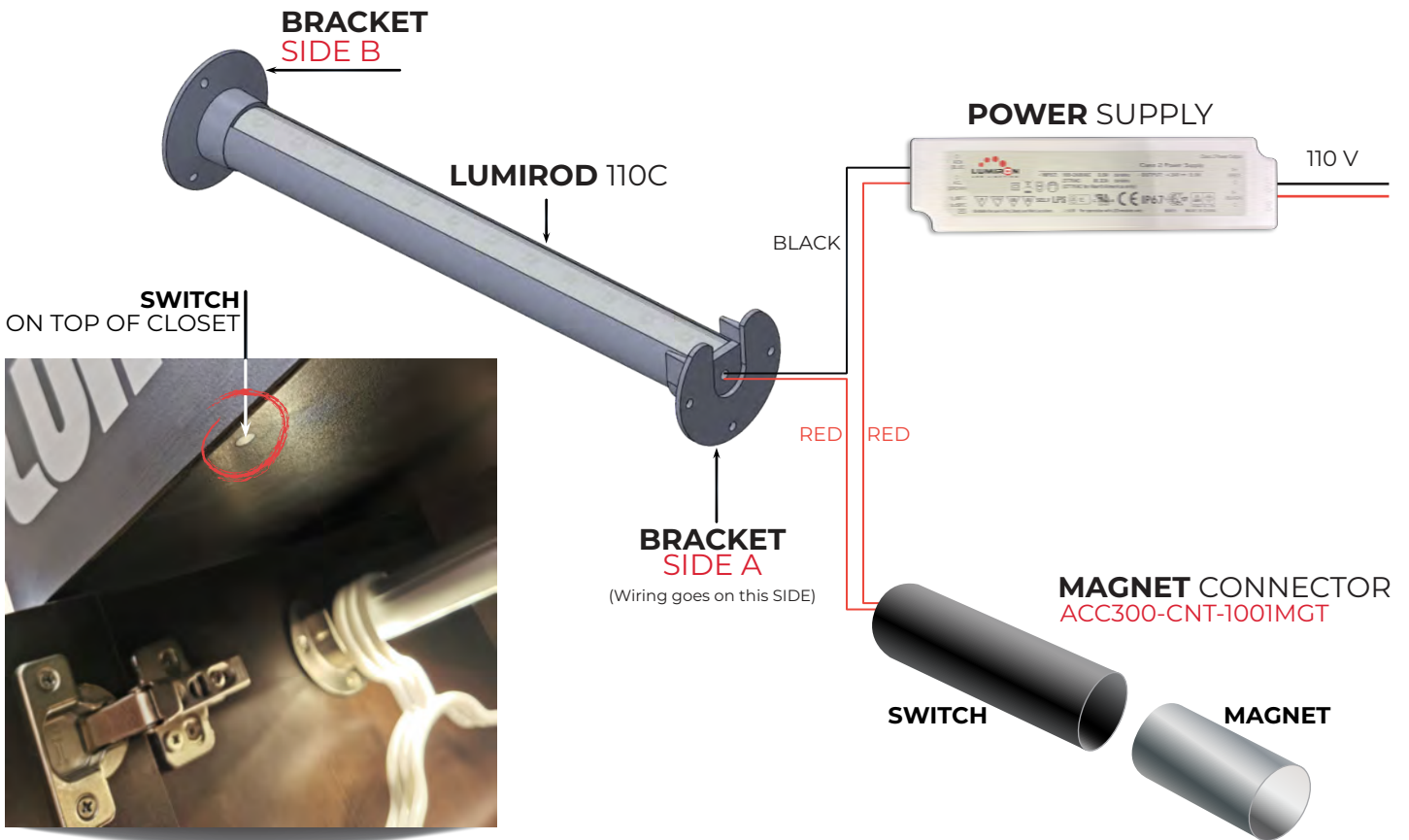
ASSEMBLY



FOLLOW THE
CORRECT WIRING

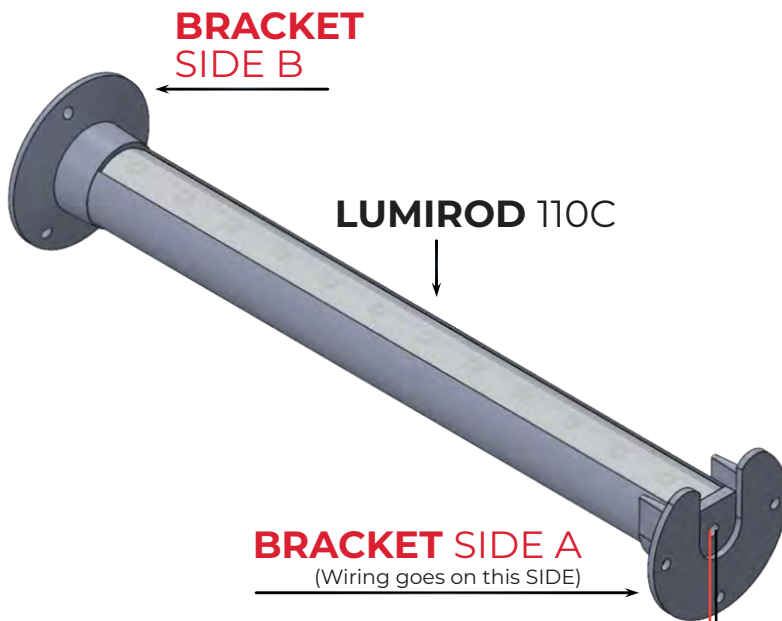
The **MAGNET CONNECTOR** allows to turn **ON/OFF** the **LUMIROD 110C** on contact with a door on any closet setup or design

SCAN QR CODE TO GO
DIRECTLY TO THIS ACCESSORY
ONLINE PAGE



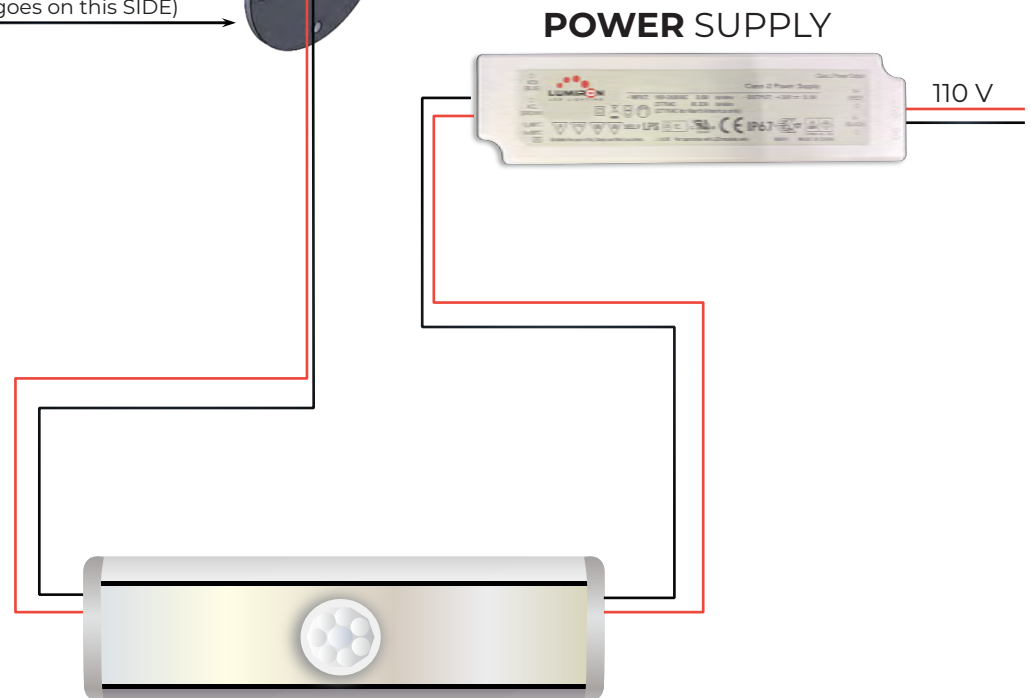
MOTION SENSOR TRX ASSEMBLY

SCAN QR CODE TO GO
DIRECTLY TO THIS ACCESSORY
ONLINE PAGE



FOLLOW THE CORRECT WIRING

The **MOTION SENSOR TRX** allows to turn **ON/OFF** the **LUMIRON 110C** on detection of any motion at any closet setup or design



MOTION SENSOR TRX

SECTION 4

COMPLETE INSTALLATION SAMPLES

Final result will vary depending on number of RODS used and specific project.
Pictures shown here are just examples of final results.

LUMIRON™ will deliver custom made **LUMIROD 110C LED RODS** for each specific project.

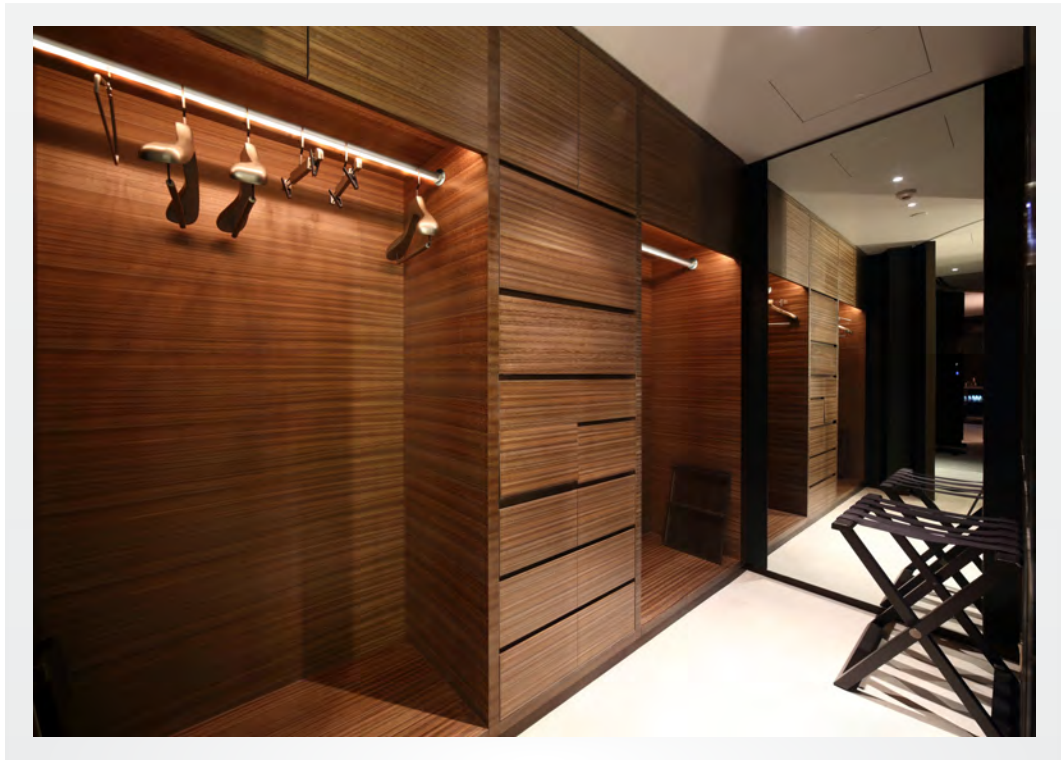
SAMPLE 1

LUMIROD 110C FOR A LUXURY FINISH

Created by **LUMIRON™**, The **New LUMIROD 110C**, gives that special finish to any closet setup, with a practical light from the ROD it self, that can be customized to any need.

WE LISTEN TO THE NEEDS OF OUR CONSUMERS

Our goal is to achieve excellent performance, energy savings and yet offer the most advanced technology and the highest level of lighting quality control and design



SAMPLE 2



**IMAGINE
THE POSSIBILITIES**

TALK TO US

INFINITE OPTIONS ARE POSSIBLE
WITH THE
NEW LUMIROD 110C
ASK US ABOUT HOW TO CREATE
SOMETHING SPECIAL
FOR YOUR PROJECT

ASK FOR THE RGB OPTION!

LUMIRON

LED LIGHTING





IMAGINE THE POSSIBILITIES

THANK YOU



 sales@lumiron.com

 305-652-2599
786-248-3918

 20725 NE 16 Ave.
Suite A-33 Miami, FL 33179

